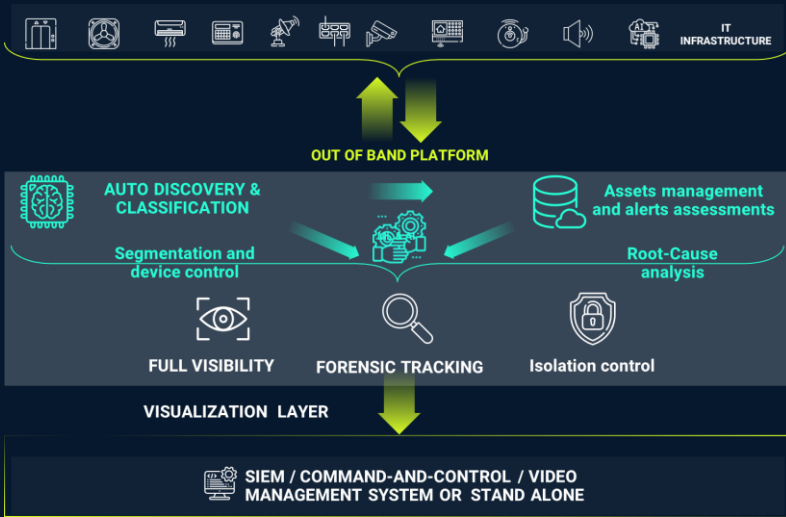




Physical devices security consolidation with Network monitoring & Assets management. Convergence of Cybersecurity with Physical Security

Vanguard NTC – Multi Network Traffic Collector

The Vanguard Network Traffic Collector (NTC) is a network analyzer that collects, consolidates and send traffic information to the Vanguard Network Central Management software (NCM)



Vanguard Collector Main Features:

- Layer-7 application support
- NetFlow v5/v9/IPFIX support
- IPv4 and IPv6 support
- Limited memory footprint
- Multi-threaded architecture
- Tunneled traffic support
- High-performance to keep up with high-speeds traffic
- Up to 250K flows/minute
- Multiple switches monitoring support

The Vanguard Collector, designed by Nelysis, is part of Vanguard System, an Out of Band solution that converges Cybersecurity with Physical Security. Provides Network monitoring and Cybersecurity for any connected device.

The Vanguard system extracts network traffic through DPI, detects mismatching behavior profiles and issues alerts. The extracted information are for forensic analysis

OUT OF BAND- Separation between the Nelysis platform and the monitored network
Working in the shadows

Vanguard Key Features:

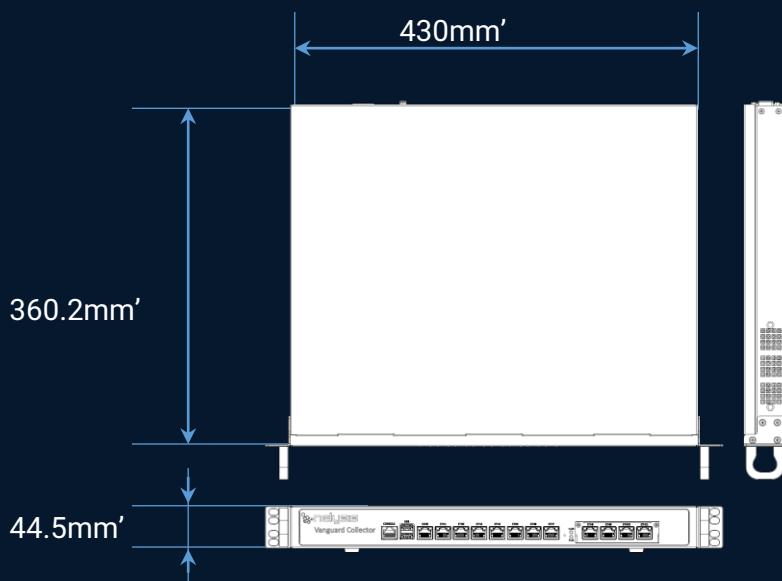
- Assets management, scoring and alerts assessment
- 360° Full visibility for real time continuous tracking
- Devices quarantine and isolation control
- Root-Cause analysis & prediction
- Convergence of Cybersecurity functions with Physical security
- Out-of-Band design & device control
- Agentless & Vendor Independent
- Network health monitoring for complete operational continuity

*The Vanguard Network Traffic Collectors must be strategically placed in order to collect all the network traffic

Technical Specification:

Features		Description
Network	ETH0-ETH7	8*Intel 82574L Gigabit ethernet
	SF0-SF3*	4*10/100/1000 Ethernet SFP Interface
		4*10000Mbps Ethernet SFP Interface
I/O Interface	Serial port	1* CISCO RS232 Serial port
	USB	2* USB2.0
Chassis & Dimensions	Installation	1U Standard rack
	Size (LWH)	430mm*360.2mm*44.5mm
Temperature	Working temperature	-10°C~50°C
	Storage temperature	-20°C~70°C
	Relative humidity	5%-95%(Relative humidity, no condensation)
Power	Power Input	4A 100-127V~ or 2A 200-240V~ 47-63Hz
	Power Consumption	40W

* Refer to ordering information

Chassis & Dimensions:

Ordering Information

Part Number	Description
NTC-7-1G	1U Vanguard Collector, 7 switches support over RJ45 interface
NTC-7-1GS	1U Vanguard Collector, 7 switches support over RJ45 and SFP interfaces
NTC-7-10GS	1U Vanguard Collector, 2 switches support over 10G SFP interface