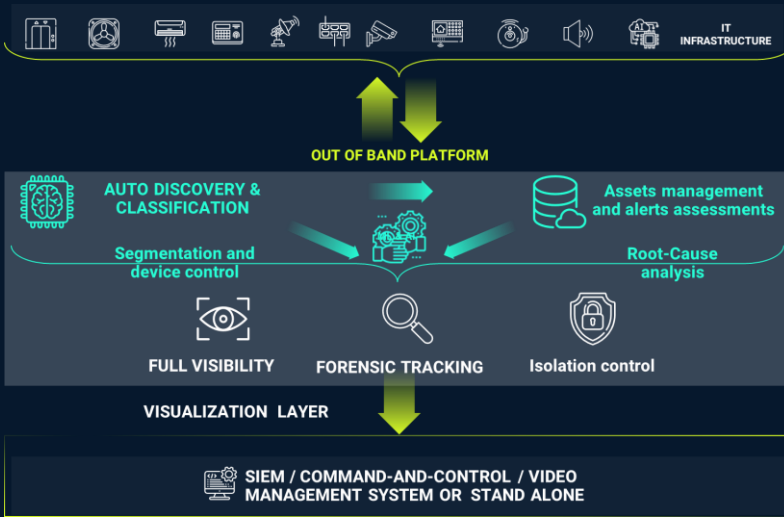




Physical devices security consolidation with Network monitoring & Assets management. Convergence of Cybersecurity with Physical Security

## Vanguard NTC – Network Traffic Collector

The Vanguard Network Traffic Collector (NTC) is a network analyzer that collects, consolidates and send traffic information to the Vanguard Network Central Management software (NCM)



Vanguard Collector Main Features:

- Layer-7 application support
- NetFlow v5/v9/IPFIX support
- IPv4 and IPv6 support
- Limited memory footprint
- Multi-threaded architecture
- Tunneled traffic support
- High-performance to keep up with high-speeds traffic
- Up to 125K flows/minute

The Vanguard Collector, designed by Nelysis, is part of Vanguard System, an Out of Band solution that converges Cybersecurity with Physical Security. Provides Network monitoring and Cybersecurity for any connected device.

The Vanguard system extracts network traffic through DPI, detects mismatching behavior profiles and issues alerts. The extracted information are for forensic analysis

**OUT OF BAND-** Separation between the Nelysis platform and the monitored network  
Working in the shadows

Vanguard Key Features:

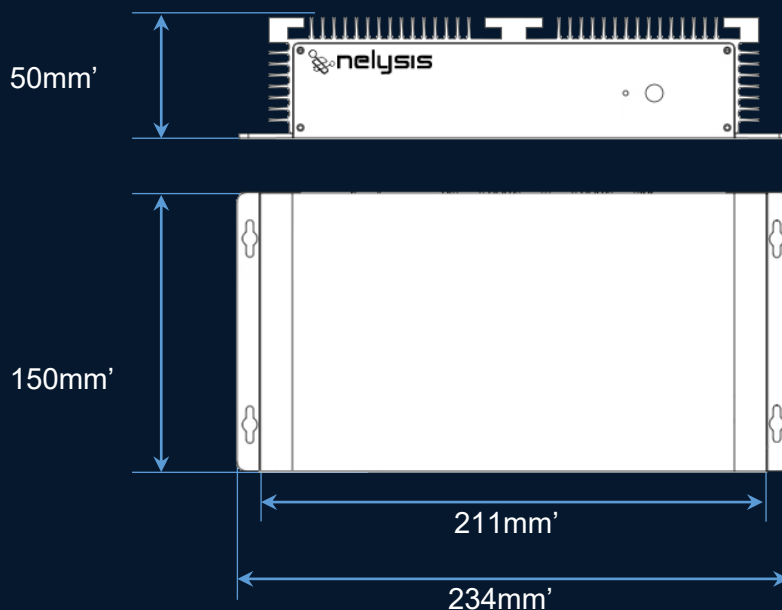
- Assets management, scoring and alerts assessment
- 360° Full visibility for real time continuous tracking
- Devices quarantine and isolation control
- Root-Cause analysis & prediction
- Convergence of Cybersecurity functions with Physical security
- Out-of-Band design & device control
- Agentless & Vendor Independent
- Network health monitoring for complete operational continuity

\*The Vanguard Network Traffic Collectors must be strategically placed in order to collect all the network traffic

## Technical Specification:

Features		Description
I/O Interface		1 * RS232 COM 2 * USB 3.0
Power input port		1 inner diameter 2.5mm,external diameter 5.5mm
Network		2 * RJ45 10/100/1000 Mbps Adaptive
Power Input		DC 12V/6A
Power Consumption		15W
Operating Temperature		0°C~60°C (32°F~140°F)
Storage Temperature		-20°C~80°C (-68°F~176°F)
Storage Humidity		10%-90%
Chassis	Form Factor	234mm X 150 mm X 50mm
	Case	Fan less Industrial Mini PC

## Chassis & Dimensions:



## Ordering Information

Part Number	Description
NTC-1-1G	1U Vanguard Collector, 1 switch support over RJ45 interface